



U.S. Handling & Installation Recommendations



DO NOT walk on joists until braced.
INJURY CAN OCCUR

DO NOT stack building materials on unshathed joists. Stack only over beams or walls.

DO NOT walk on joists that are lying flat.

I-JOISTS Made Better

Customer service/support:
Toll free: 1-855-279-3700
E-mail: info@pinkwood.ca



PKI 10 SERIES: Depths: 9 1/2" thru 14" Chord Size: 2 1/2" x 1 1/2" Webstock: 3/4" OSB

PKI 20 SERIES: 9 1/2" thru 16" 2 1/2" x 1 1/2" 3/4" OSB

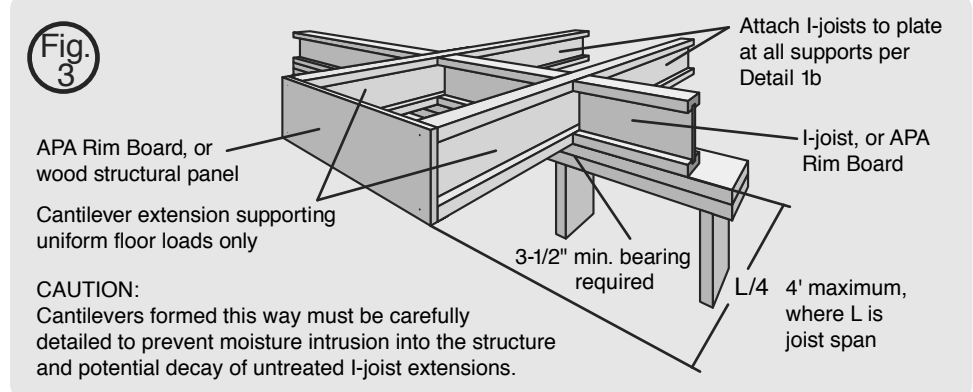
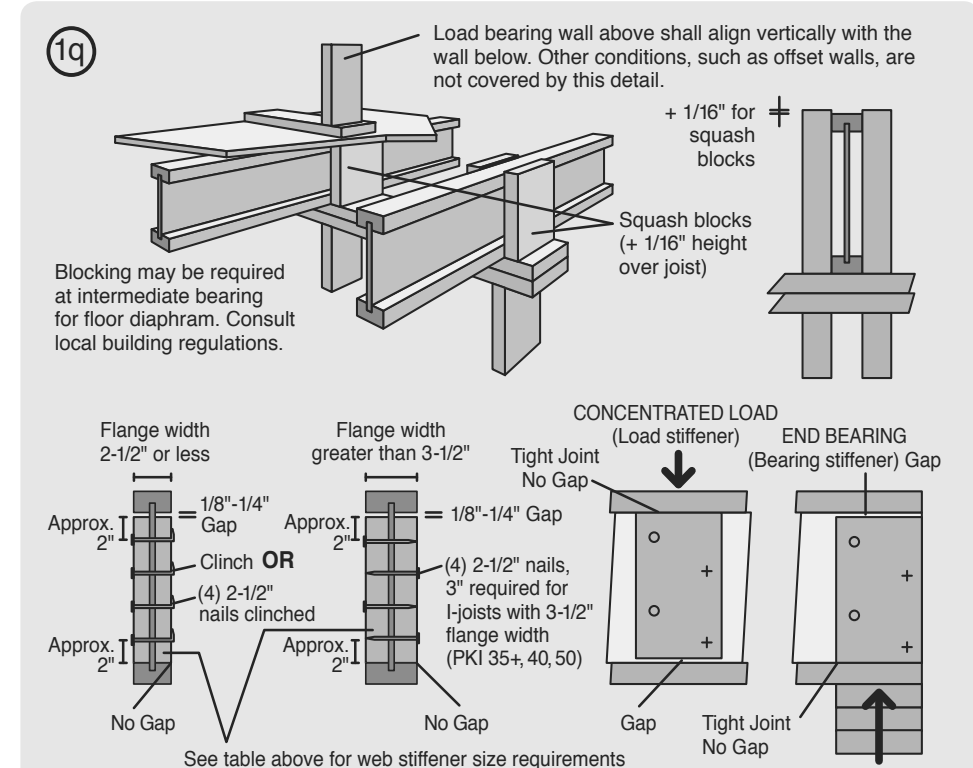
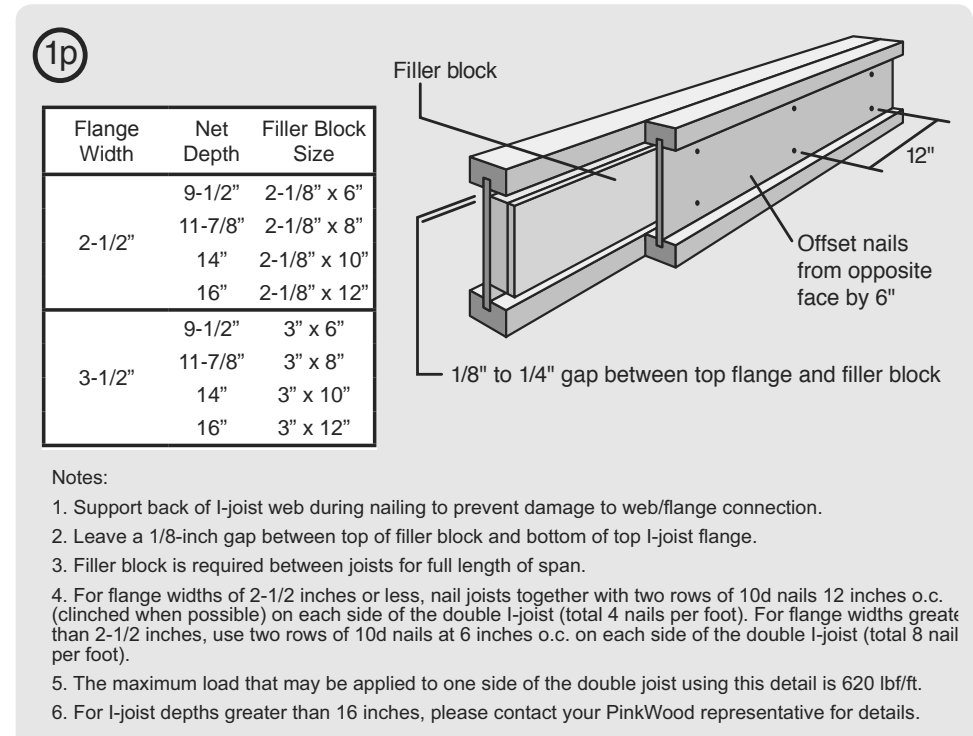
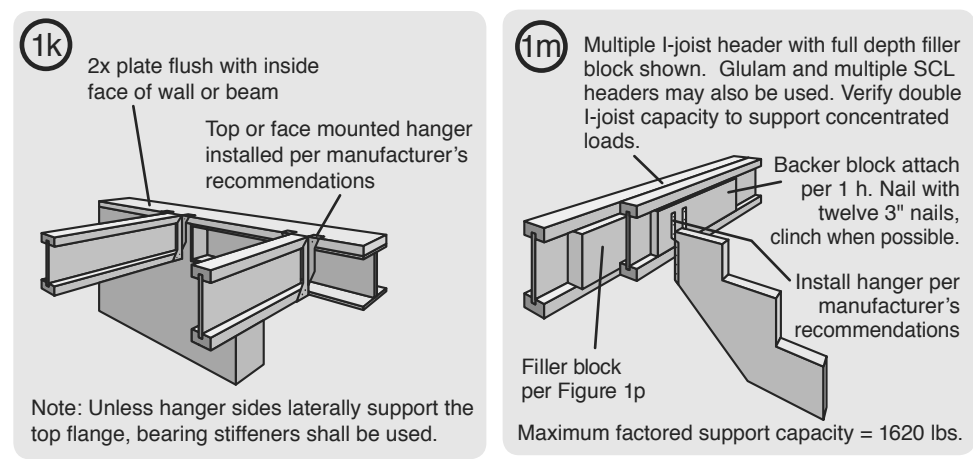
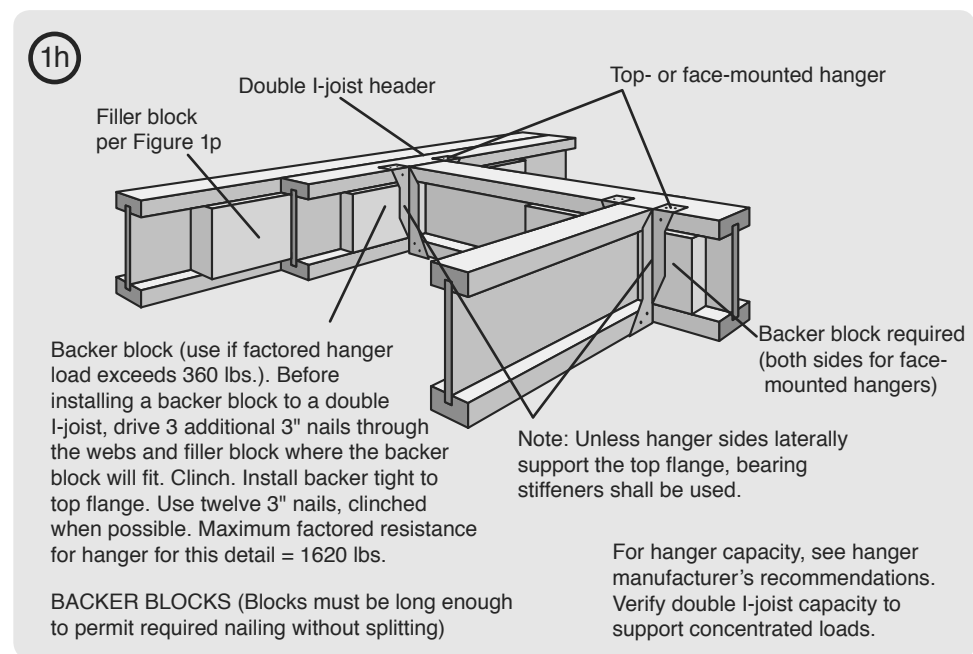
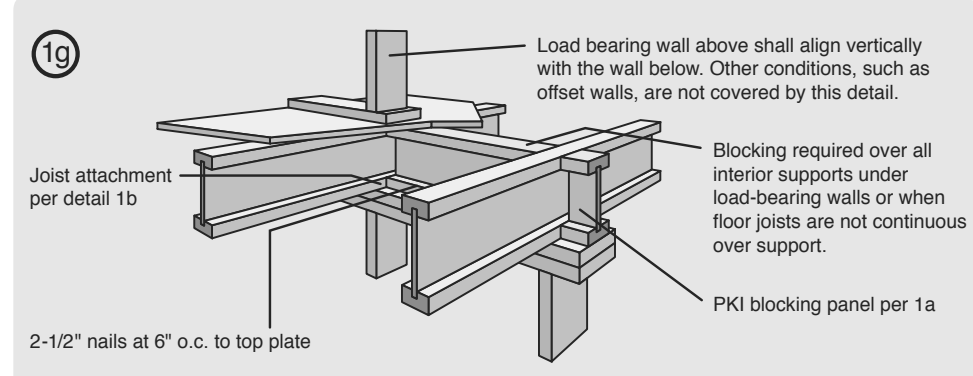
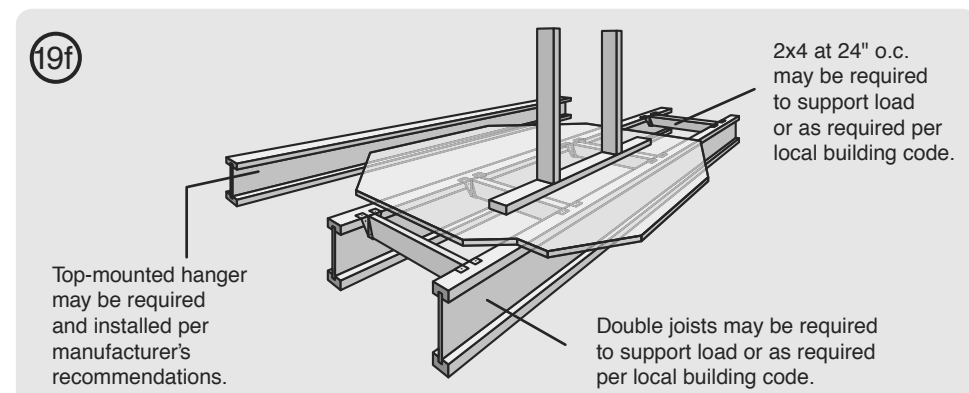
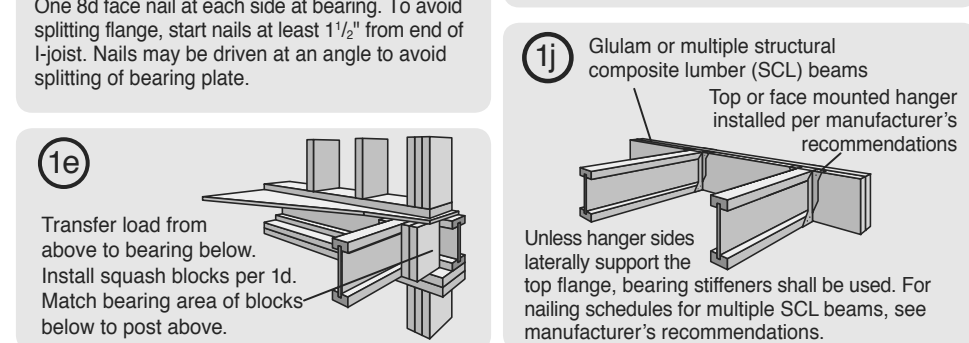
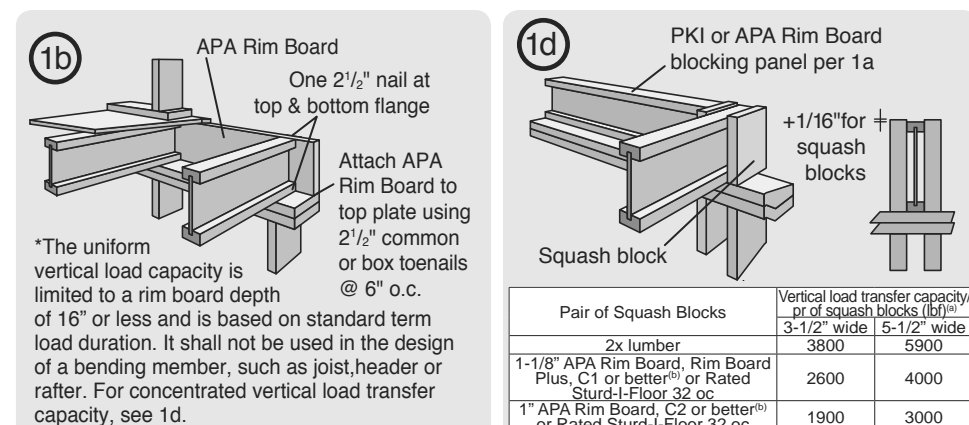
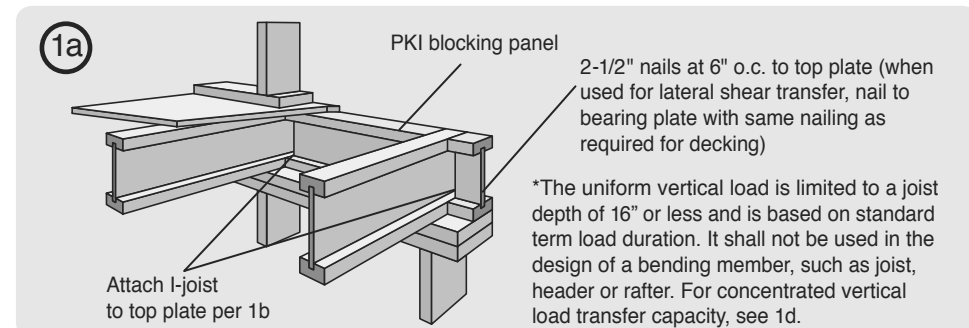
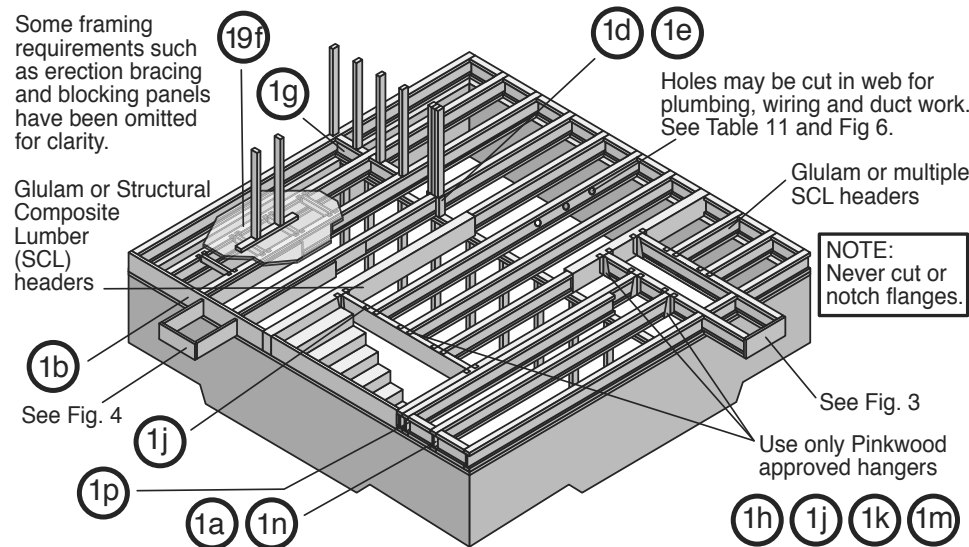
PKI 23 SERIES: 9 1/2" thru 16" 2 1/2" x 1 1/2" 3/4" OSB

PKI 35 Plus SERIES: 9 1/2" thru 16" 2 1/2" x 1 1/2" 3/4" OSB

PKI 40 SERIES: 11 7/8" thru 24" 3 1/2" x 1 1/2" 3/4" OSB (1 1/4" for 18"-24")

PKI 50 SERIES: 11 7/8" thru 24" 3 1/2" x 1 1/2" 3/4" OSB

Note: PKI 10, 20, 23, 35 Plus, 40 & 50 series are currently available uncoated. PKI 40 & 50 series are available up to 24" depths.



NOTES

(a) The following table may be used for I-joist spacing of 24 inches o.c. or less.

(b) Hole location distance is measured from inside face of supports to center of hole.

(c) Distances in this chart are based on uniformly loaded joists.

(d) Hole sizes and/or locations that fall outside the scope of this table may be acceptable based on analysis of actual hole size, span, spacing and loading conditions. The I-joist shear capacity at the location of a circular web hole (V_m) is calculated using the following equation:

$$V_m = \text{Published Shear Value} \times (\text{Joist Depth} - \text{Hole Diameter}) / \text{Joist Depth}$$

(e) SAF = Span Adjustment Factor, used as defined below:

$$D_{\text{reduced}} = \frac{L_{\text{actual}}}{\text{SAF}} \times D$$

Where: D_{reduced} = Distance from the inside face of any support to center of hole, reduced for less-than-maximum span applications (ft). The reduced distance shall not be less than 12 inches from the face of the support to edge of the hole.

L_{actual} = The actual measured span distance between the inside faces of supports (ft).

SAF = Span Adjustment Factor given in this table.

D = The minimum distance from the inside face of any support to center of hole from this table.

If $\frac{L_{\text{actual}}}{\text{SAF}}$ is greater than 1, use 1 in the above calculation for $\frac{L_{\text{actual}}}{\text{SAF}}$

TABLE 11 - LOCATION OF CIRCULAR HOLES IN PKI JOIST WEBS (see IAPMO UES-0431)

Joist Depth	Series	SAF	Minimum Distance from Inside Face of Any Supports to Center of Hole (ft-in)															
			Round Hole Diameter (in.)															
			2	3	4	5	6	6 1/4	7	8	8 5/8	9	10	10 3/4	11	12	12 3/4	
9 1/2"	PKI 10	12.91	1'-1"	1'-2"	1'-8"	2'-11"	4'-4"	4'-9"										
	PKI 20	14.09	1'-1"	1'-2"	2'-5"	3'-9"	5'-2"	5'-7"										
	PKI 23	14.83	1'-1"	1'-2"	1'-5"	3'-1"	4'-10"	5'-3"										
	PKI 35 Plus	15.32	1'-1"	2'-1"	3'-5"	4'-9"	6'-3"	6'-9"										
11 7/8"	PKI 10	14.81	1'-1"	1'-2"	1'-8"	2'-10"	3'-2"	4'-2"	5'-6"	6'-7"								
	PKI 20	16.32	1'-1"	1'-2"	1'-5"	2'-8"	3'-11"	4'-3"	5'-2"	6'-8"	7'-11"							
	PKI 23	17.52	1'-1"	1'-2"	1'-2"	1'-8"	3'-1"	3'-6"	4'-8"	6'-4"	7'-6"							
	PKI 35 Plus	17.67	1'-1"	1'-2"	2'-4"	3'-7"	4'-10"	5'-2"	6'-2"	7'-9"	9'-1"							
14"	PKI 10	19.96	1'-5"	2'-9"	4'-1"	5'-6"	6'-11"	7'-3"	8'-5"	10'-1"	11'-2"							
	PKI 20	20.08	1'-1"	1'-2"	1'-2"	2'-7"	4'-5"	4'-10"	6'-3"	8'-2"	9'-6"							
	PKI 23	16.24	1'-1"	1'-2"	1'-2"	1'-3"	1'-8"	1'-11"	2'-9"	4'-0"	4'-9"	5'-3"	6'-8"	8'-2"				
	PKI 35 Plus	17.69	1'-1"	1'-2"	1'-2"	1'-5"	2'-7"	2'-10"	3'-9"	5'-0"	5'-10"	6'-4"	7'-10"	9'-8"				
16"	PKI 10	19.94	1'-1"	1'-2"	1'-3"	1'-3"	1'-4"	1'-5"	2'-9"	3'-7"	4'-1"	5'-8"	7'-0"	7'-5"	9'-5"	11'-7"		
	PKI 20	19.24	1'-1"	1'-2"	1'-2"	1'-3"	1'-10"	2'-2"	3'-2"	4'-7"	5'-7"	6'-2"	7'-9"	9'-6"				
	PKI 23	18.42	1'-1"	1'-2"	1'-3"	2'-5"	3'-7"	3'-10"	4'-9"	6'-1"	6'-11"	7'-6"	9'-4"	11'-5"				
	PKI 35 Plus	22.63	1'-1"	2'-2"	3'-5"	4'-9"	6'-1"	6'-5"	7'-6"	8'-11"	9'-11"	10'-6"	12'-2"	13'-7"				
16"	PKI 40	22.76	1'-1"	1'-2"	1'-2"	2'-4"	3'-11"	4'-4"	5'-6"	7'-3"	8'-4"	9'-0"	10'-11"	12'-5"				
	PKI 50	18.97	1'-1"	1'-2"	1'-2"	1'-3"	1'-5"	1'-8"	2'-6"	3'-8"	4'-5"	4'-10"	6'-1"	7'-1"	7'-5"	9'-3"	11'-3"	
16"	PKI 23	19.94	1'-1"	1'-2"	1'-2"	1'-3"	1'-3"	1'-4"	1'-5"	2'-9"	3'-7"	4'-1"	5'-8"	7'-0"	7'-5"	9'-5"	11'-7"	
	PKI 35 Plus	18.71	1'-1"	1'-2"	1'-2"	1'-5"	2'-6"	2'-10"	3'-8"	4'-10"	5'-7"	6'-1"	7'-4"	8'-4"	8'-9"	11'-0"	13'-0"	
16"	PKI 40	25.03	1'-1"	1'-2"	2'-3"	3'-7"	4'-10"	5'-2"	6'-2"	7'-6"	8'-5"	9'-0"	10'-6"	11'-9"	12'-2"	14'-3"	15'-10"	
	PKI 50	25.17	1'-1"	1'-2"	1'-2"	2'-2"	3'-7"	3'-11"	5'-1"	6'-7"	7'-7"	8'-2"	9'-10"	11'-1"	11'-7"	13'-5"	15'-0"	

WEB HOLE SPECIFICATIONS

One of the benefits of using I-joists in residential floor construction is that holes may be cut in the joist webs to accommodate electrical wiring, plumbing lines and other mechanical systems, therefore minimizing the depth of the floor system.

Rules for cutting holes in PKI Joists

- The distance between the inside edge of the support and the centerline of any hole shall be in compliance with the requirements of Table 5.
- I-joist top and bottom flanges must NEVER be cut, notched or otherwise modified.
- Whenever possible, field-cut holes should be centered on the middle of the web.
- The maximum size hole that can be cut into an I-joist web shall equal the clear distance between the flanges of the I-joist minus 1/4 inch. A minimum of 1/8 inch should always be maintained between the top or bottom of the hole and the adjacent I-joist flange.
- The sides of square holes or longest sides of rectangular holes should not exceed three-fourths of the diameter of the maximum round hole permitted at that location.
- Where more than one hole is necessary, the distance between adjacent hole edges shall exceed twice the diameter of the largest round hole or twice the size of the largest square hole (or twice the length of the longest side of the longest rectangular hole) and each hole must be sized and located in compliance with the requirements of Table 5.
- Holes measured 1-1/2 inches or smaller shall be permitted anywhere in a cantilevered section of a PKI-joist. Holes of greater size may be permitted subject to verification.
- A 1-1/2-inch hole or smaller can be placed anywhere in the web provided that it meets the requirements of rule number 6 above.
- All holes shall be cut in a workman-like manner in accordance with the restrictions listed above and as illustrated in Figure 6.
- Limit three maximum-size holes per span.
- A group of round holes at approximately the same location shall be permitted if they meet the requirements for a single round hole circumscribed around them.

WARNINGS

