

U.S. Roofing Installation Details

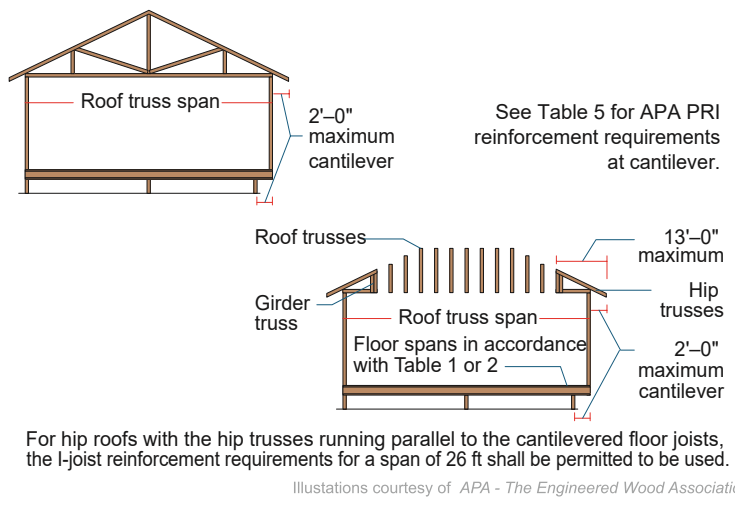
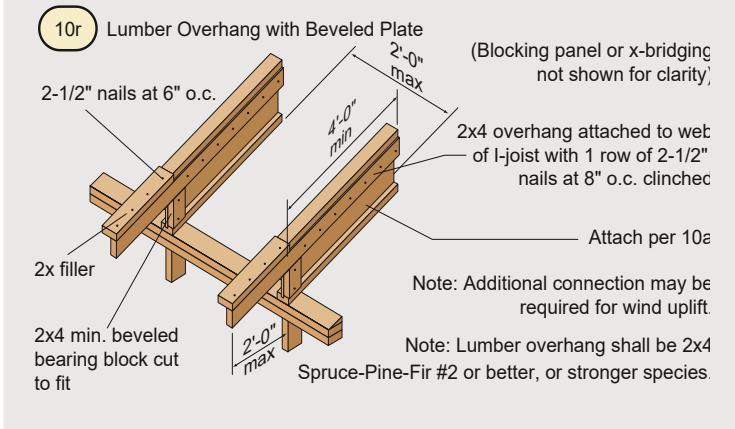
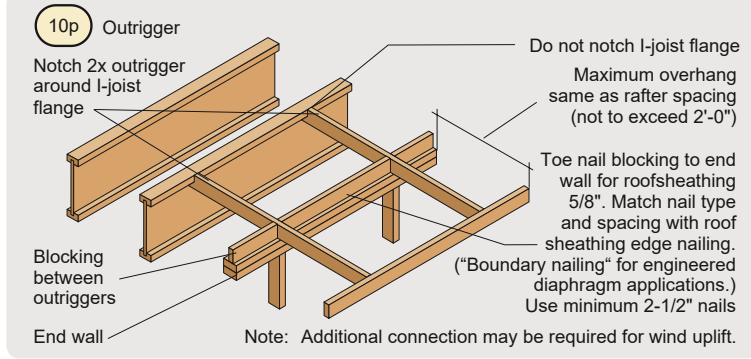
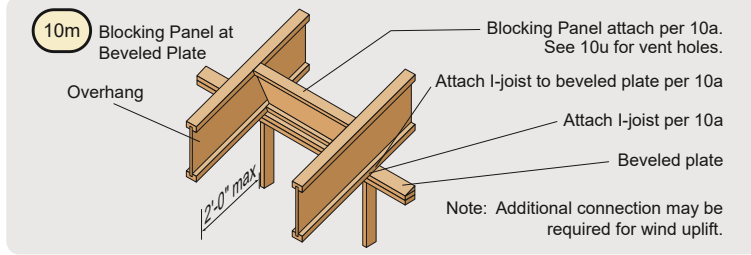
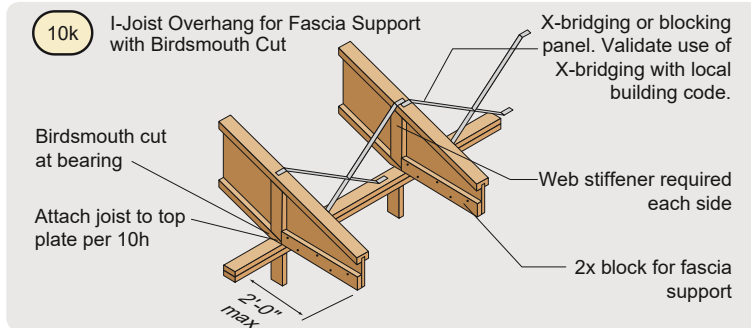
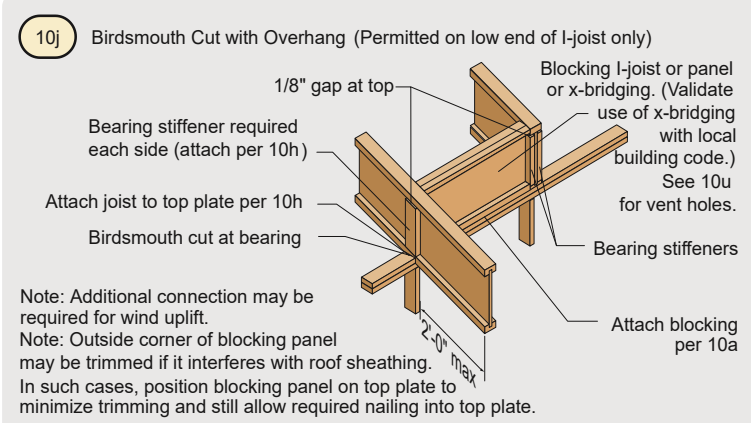
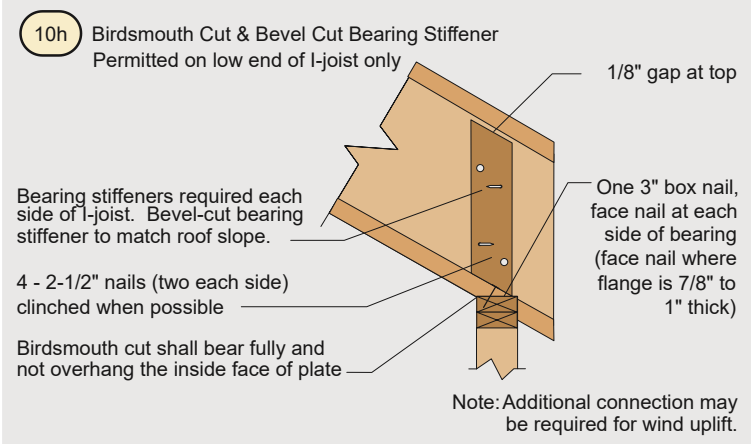
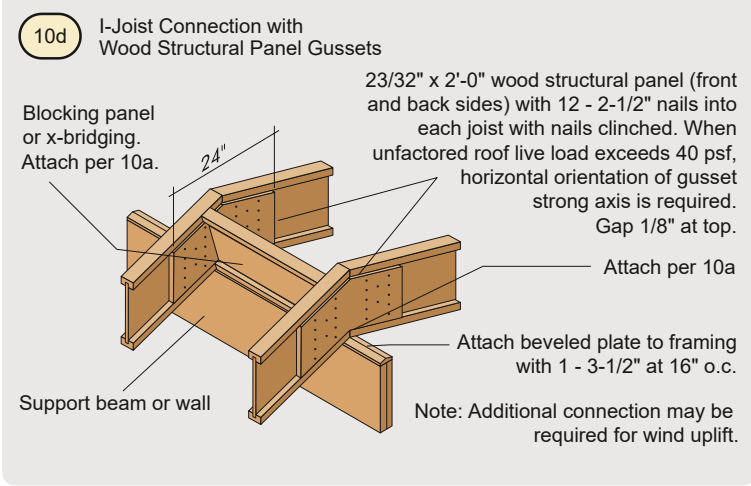
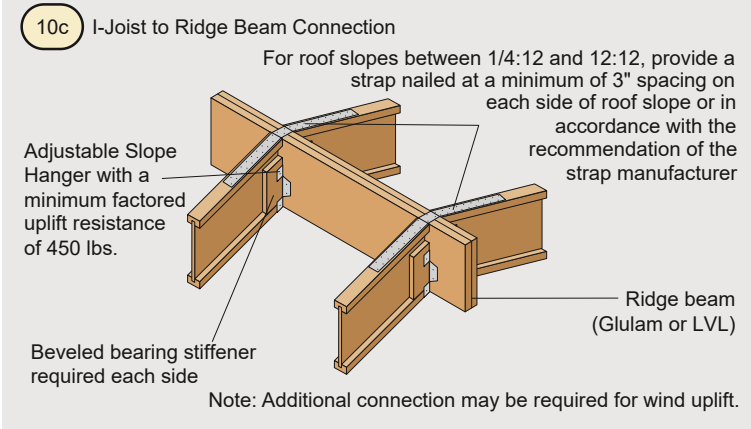
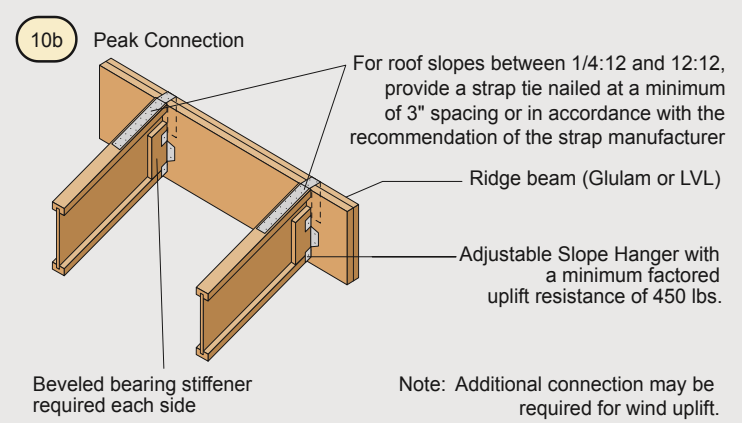
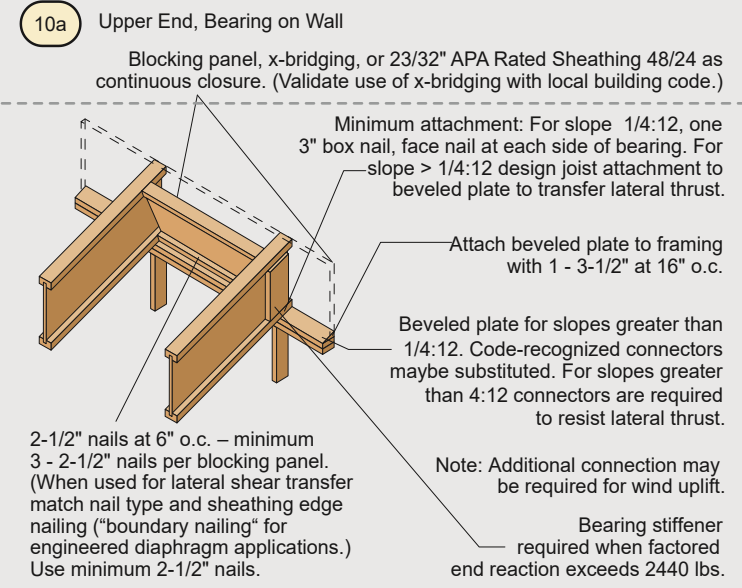
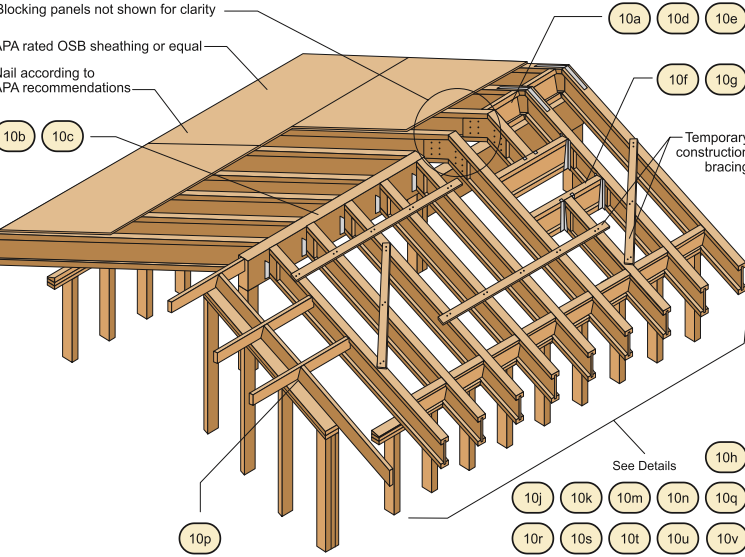


TABLE 5 - PKI CANTILEVER REINFORCEMENT METHODS ALLOWED

| Joist Depth (in.) | Roof Truss Span (ft) | Roof Loadings | | | | | | | | | | | |
|-------------------|----------------------|----------------------------------------|---|---|---|----------------------------------------|---|---|---|----------------------------------------|---|---|---|
| | | TL = 35 psf LL not to exceed 20 psf | | | | TL = 45 psf LL not to exceed 30 psf | | | | TL = 55 psf LL not to exceed 40 psf | | | |
| | | Joist Spacing (in.) | | | | Joist Spacing (in.) | | | | Joist Spacing (in.) | | | |
| 9-1/2 | 26 | N | N | N | 1 | N | N | 1 | 2 | N | 1 | 2 | X |
| | 28 | N | N | N | 1 | N | N | 1 | 2 | N | 1 | 2 | X |
| | 30 | N | N | 1 | 1 | N | N | 1 | 2 | N | 1 | 2 | X |
| | 32 | N | N | 1 | 2 | N | 1 | 1 | X | N | 1 | 2 | X |
| | 34 | N | N | 1 | 2 | N | 1 | 2 | X | N | 2 | X | X |
| 11-7/8 | 36 | N | N | 1 | 2 | N | 1 | 2 | X | N | 2 | X | X |
| | 26 | N | N | N | 1 | N | N | 1 | 1 | N | 1 | 1 | 2 |
| | 28 | N | N | 1 | 1 | N | 1 | 1 | 1 | N | 1 | 1 | 2 |
| | 30 | N | N | 1 | 1 | N | 1 | 1 | 2 | N | 1 | 1 | 2 |
| | 32 | N | N | 1 | 1 | N | 1 | 1 | 2 | N | 1 | 1 | 2 |
| 14 | 34 | N | N | 1 | 1 | N | 1 | 1 | 2 | N | 1 | 2 | 2 |
| | 36 | N | N | 1 | 1 | N | 1 | 1 | 2 | N | 1 | 2 | 2 |
| | 38 | N | 1 | 1 | 2 | N | 1 | 1 | 2 | 1 | 1 | 2 | X |
| | 26 | N | N | N | 1 | N | N | N | 1 | N | N | 1 | 1 |
| | 28 | N | N | N | 1 | N | N | 1 | 1 | N | N | 1 | 2 |
| 16 | 30 | N | N | N | 1 | N | N | 1 | 1 | N | 1 | 1 | 2 |
| | 32 | N | N | N | 1 | N | N | 1 | 1 | N | 1 | 1 | 2 |
| | 34 | N | N | 1 | 1 | N | N | 1 | 2 | N | 1 | 1 | 2 |
| | 36 | N | N | 1 | 1 | N | 1 | 1 | 2 | N | 1 | 1 | 2 |
| | 38 | N | N | 1 | 1 | N | 1 | 1 | 2 | N | 1 | 1 | 2 |
| | 40 | N | N | 1 | 1 | N | 1 | 1 | 2 | N | 1 | 2 | 2 |
| | 42 | N | N | 1 | 1 | N | 1 | 1 | 2 | N | 1 | 2 | X |

- Notes:
- (1) N = No reinforcement required.
 1 = PRIs reinforced with 23/32 Performance Category wood structural panel on one side only.
 2 = PRIs reinforced with 23/32 Performance Category wood structural panel on both sides or double I-joist.
 X = Try a deeper joist or closer spacing.
 - (2) Color coding in table is matched to details in Figure 5a and 5b.
 - (3) Maximum load shall be: 15 psf roof dead load, 50 psf floor total load, and 80 pif wall load. Wall load is based on 3'-0" maximum width window or door openings. For larger openings, or multiple 3'-0" width openings spaced less than 6'-0" o.c., additional joists beneath the opening's cripple studs may be required.
 - (4) Table applies to joists 12" to 24" o.c. Use 12" o.c. requirements for lesser spacings.
 - (5) For conventional roof construction using a ridge beam, the Roof Truss Span column above is equivalent to the distance between the supporting wall and the ridge beam. When the roof is framed using a ridge board, the Roof Truss Span is equivalent to the distance between the supporting walls as if a truss is used.